


GENERAL INFORMATION

3RD ANGLE PROJECTION 

DO NOT SCALE - IF IN DOUBT, ASK

REMOVE ALL SHARP EDGES AND BURRS

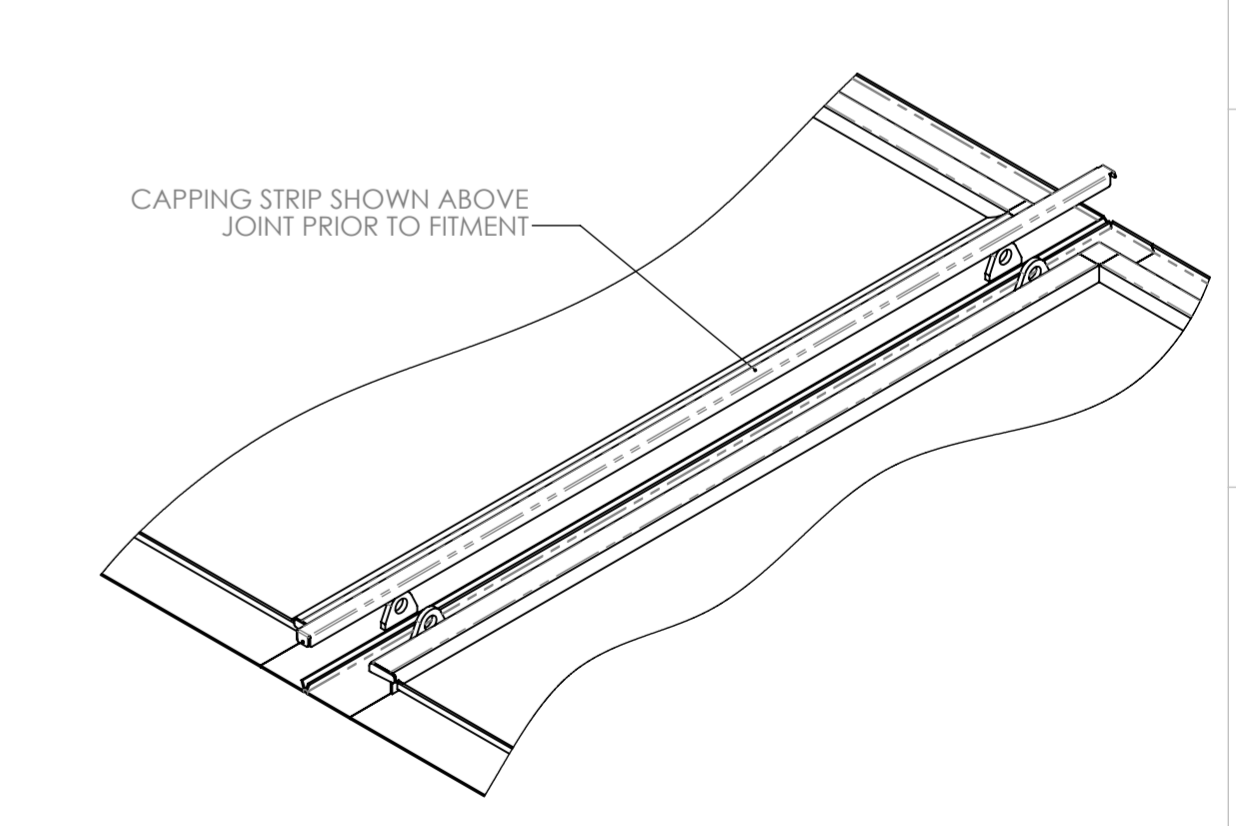
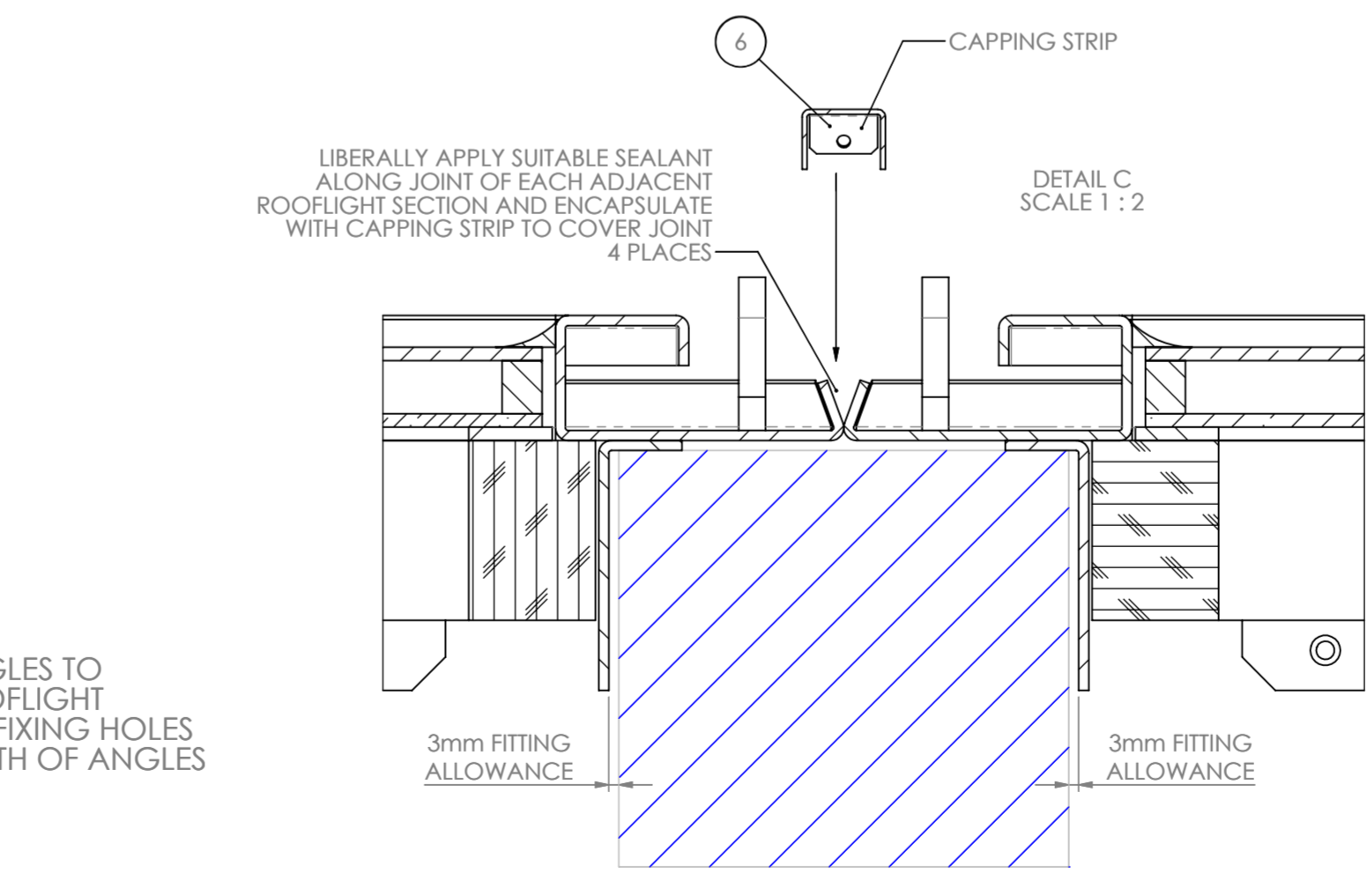
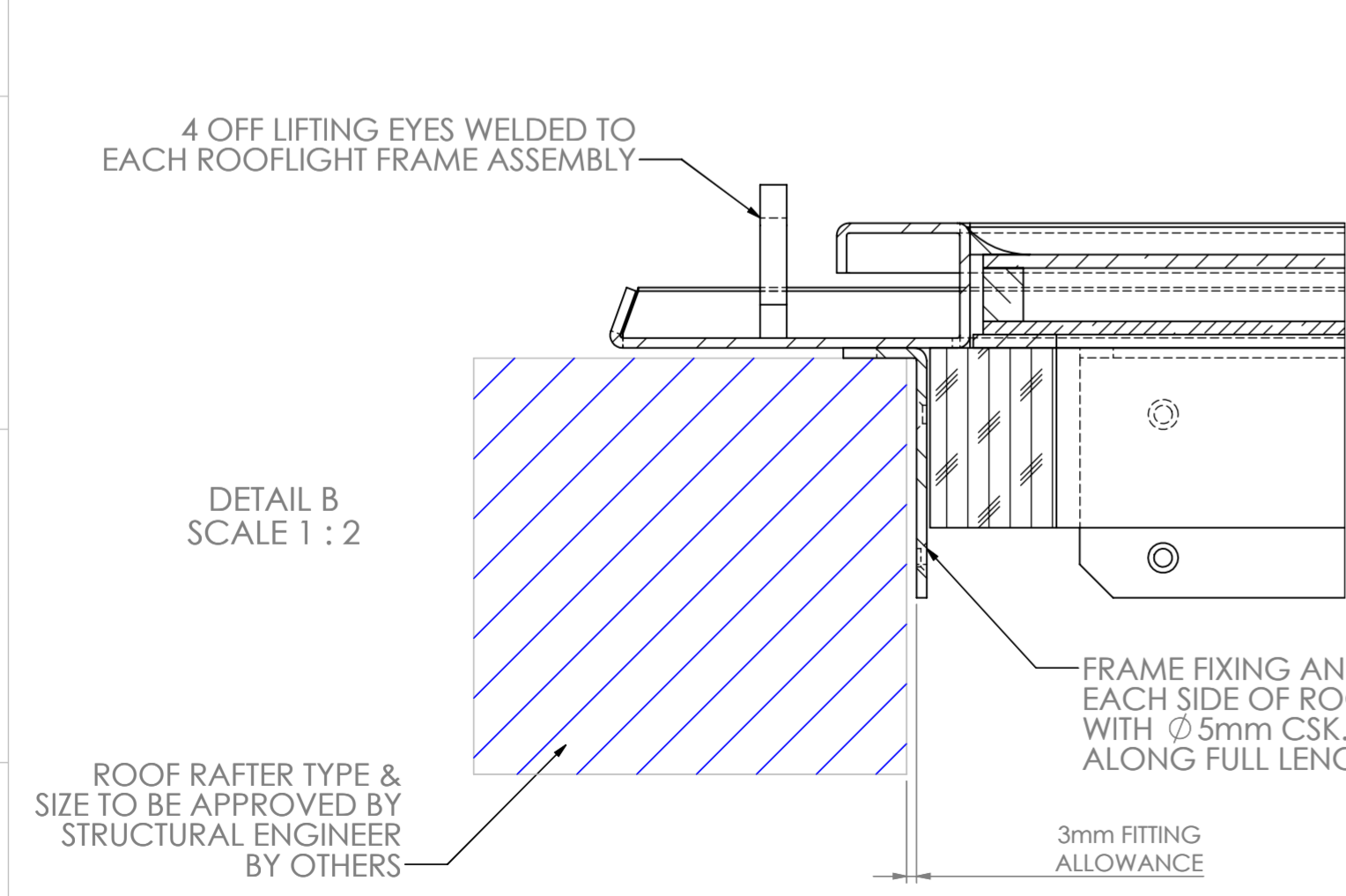
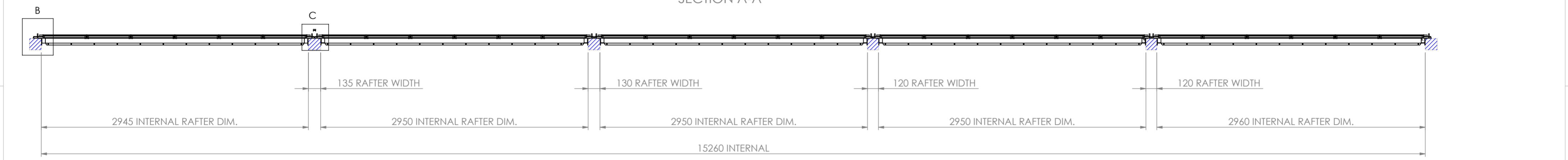
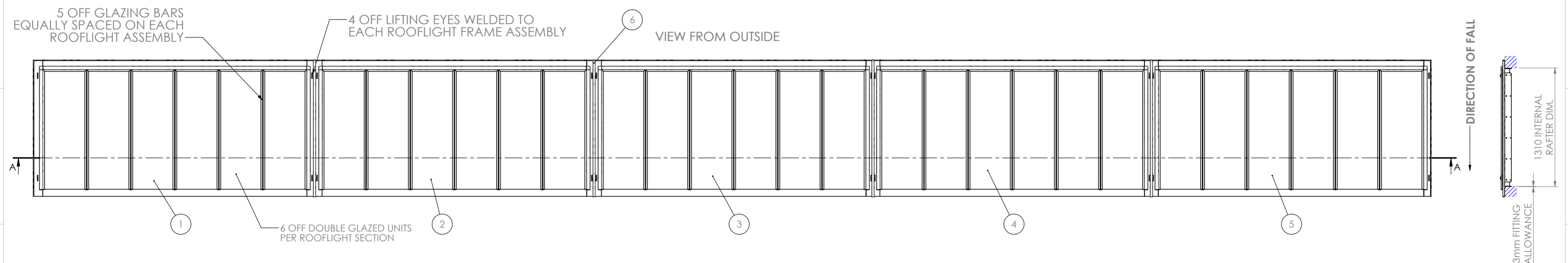
ITEM NO.	PART NUMBER	DESCRIPTION	QTY.
1	MGL0167A	BESPOKE FIXED CONSERVATION ROOFLIGHT GA - A1	1
2	MGL0184A	BESPOKE FIXED CONSERVATION ROOFLIGHT GA - A2	1
3	MGL0193A	BESPOKE FIXED CONSERVATION ROOFLIGHT GA - A3	1
4	MGL0198A	BESPOKE FIXED CONSERVATION ROOFLIGHT GA - A4	1
5	MGL0202A	BESPOKE FIXED CONSERVATION ROOFLIGHT GA - A5	1
6	MGL0271P	CAPPING STRIP	4

NOTE:
ROOF LIGHT HAS BEEN DRAWN 6mm SMALLER IN WIDTH & HEIGHT FROM CLIENT TIGHT DIMENSIONS TO ENSURE EASE OF INSTALLATION

THIS ROOFLIGHT ASSEMBLY IS PERMANENTLY FIXED (NON-OPENING) ENVIRONMENT CATEGORY - C5

TOLERANCES UNLESS OTHERWISE SPECIFIED

LINEAR - 0 DECIMAL PLACES	±1.0mm
LINEAR - 1 DECIMAL PLACES	±0.50mm
LINEAR - 2 DECIMAL PLACES	±0.15mm
ANGULAR	±1.0°
SURFACE FINISH - GENERAL	3.2 µm
SURFACE FINISH - MACHINED	1.6 µm
SURFACE FINISH - GROUND	0.4 µm
SURFACE FINISH - POLISHED	0.2 µm
SCREW THREAD - INTERNAL	6H
SCREW THREAD - EXTERNAL	6g



THE INFORMATION CONTAINED IN THIS DRAWING IS THE SOLE PROPERTY OF METAL & GLASS LTD. ANY REPRODUCTION IN PART OR AS A WHOLE WITHOUT WRITTEN PERMISSION IS STRICTLY PROHIBITED

SHEET: 1 OF 1 - A2

DATE: 22/02/20

DRAWN: S.C

SCALE: 1:30

WEIGHT: 849

UNITS: mm; kg

TITLE: BESPOKE FIXED CONSERVATION ROOFLIGHT INSTALLATION GA - A1/A2/A3/A4/A5

REF: 459-MGF

MATERIAL: 316 ST STEEL

SEALS/SEALANT COLOUR: BLACK/BLACK

FINISH: SWEEP BLAST & POWDER COAT PZ790 SYSTEM MNA05F BLACK

PART TYPE: MANUFACTURED

PART REF: MGL0272A

DRG. No. MGL0272A

ISSUE: 2